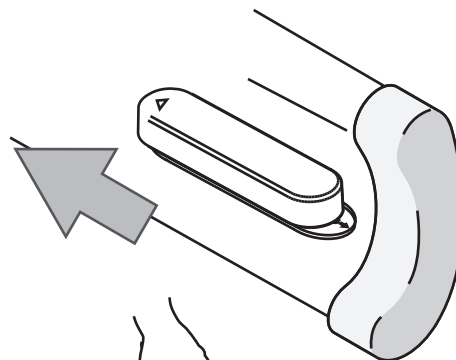
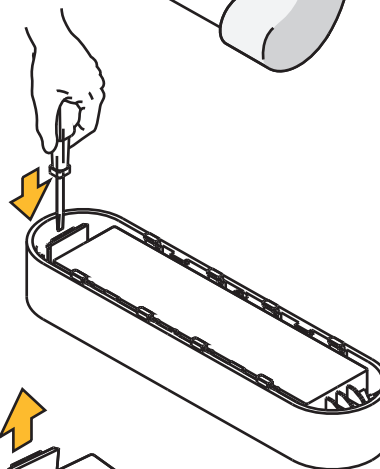


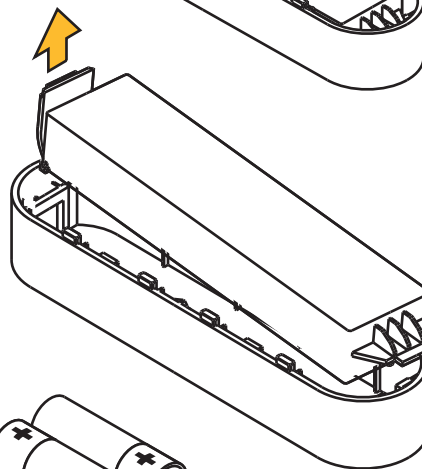
1. Slide outside cover to the left



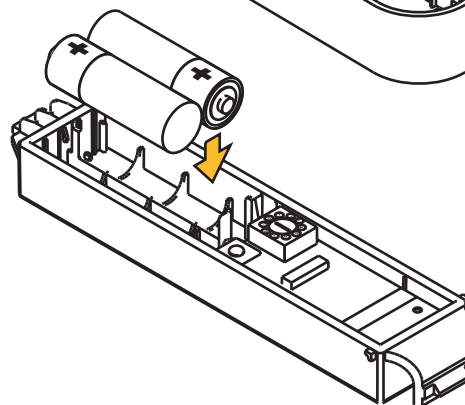
2. Insert SMALL slotted screwdriver and push tab to the right.



3. Pull black casing up



4. Remove AAA batteries



5. Replace AAA batteries. Red light should illuminate.

